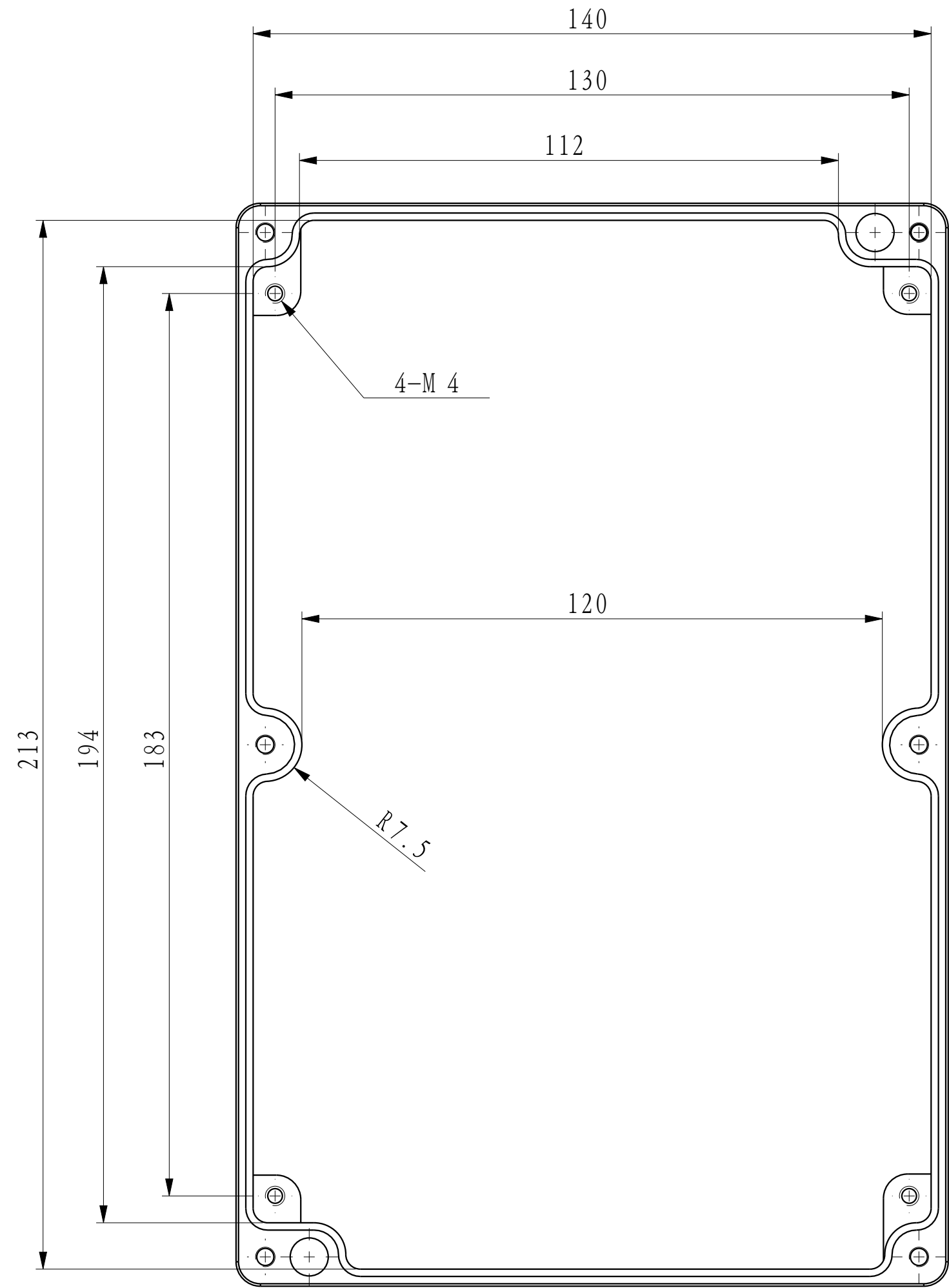
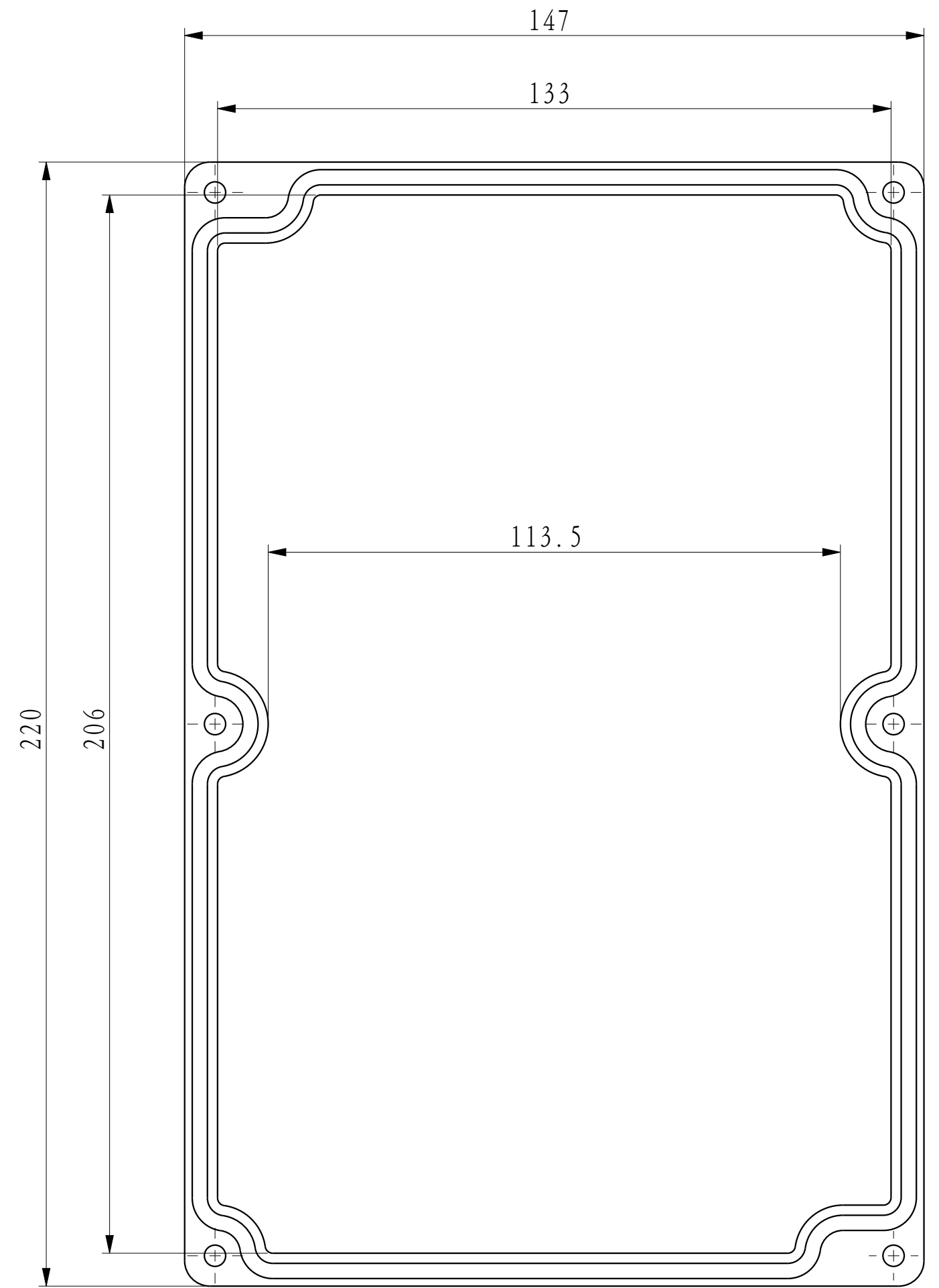
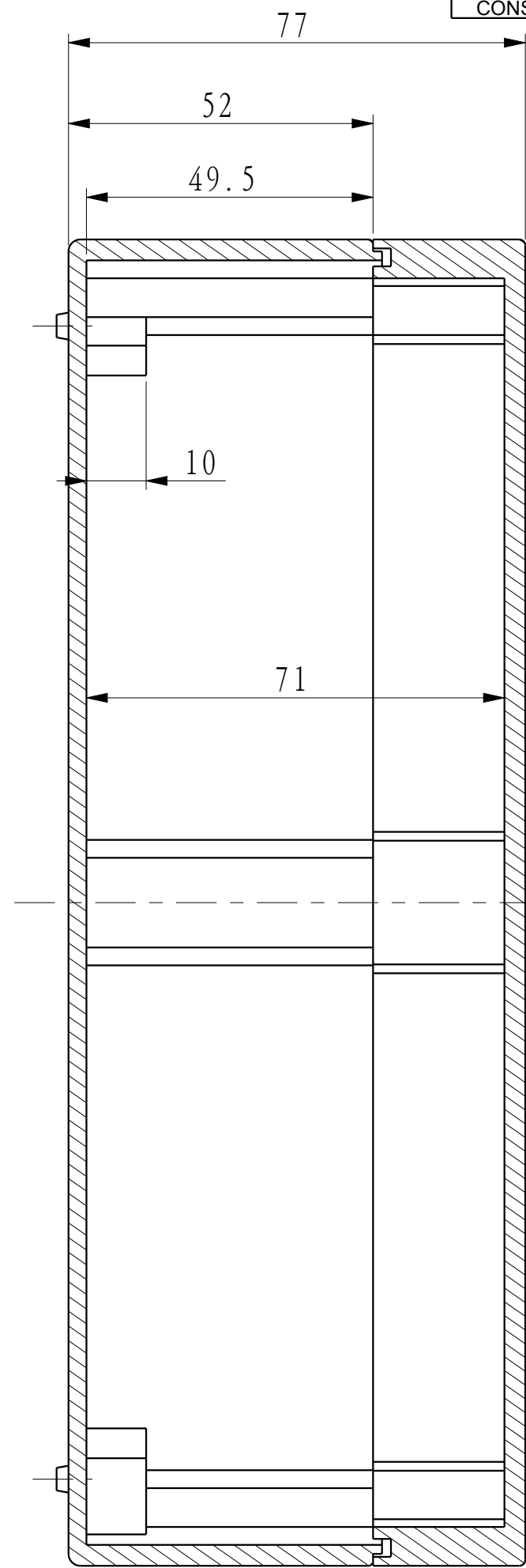


PROPRIETARY INFORMATION
 THIS DRAWING IS THE PROPERTY OF BOXTECH ELECTRICAL.
 DISCLOSURE OR REPRODUCTION OF THE INFORMATION ON
 THIS DRAWING IS PROHIBITED WITHOUT PRIOR WRITTEN
 CONSENT OF BOXTECH ELECTRICAL.

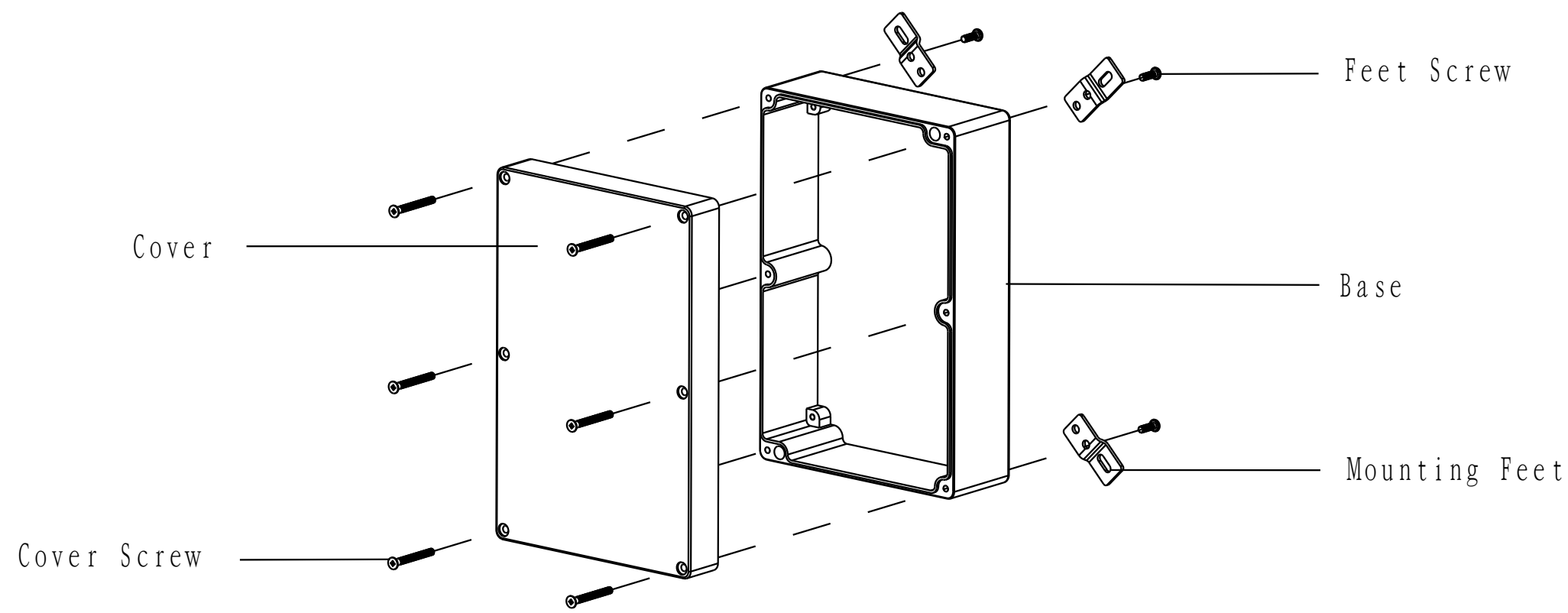
REVISIONS			DESCRIPTION	DATE	BY
E.C.O.	ZONE	REV.			



Top View of The Base



Bottom View of The Cover



BOXTECH	MATERIAL	ZL102	APPROVALS	DATE	重庆博斯泰克电气有限公司 ChungKing BoxTech Electrical Co., Ltd.	
	COLOR	Gery	DRAWN			
DO NOT SCALE DRAWING 部分图元可能未按比例绘制	THIS DRAWING IS ONLY FOR YOUR REFERENCE 图上尺寸仅供参考, 请以实际产品为准		CHECKED		TITLE	
	DIMENSIONS ARE IN MILLIMETER			CUSTOMER	DWG. NO.	REV.
					Die-Cast Enclosure	
					04.008B	
					PROJECTION TYPE	SHEET 1 OF 1
					SIZE A2	