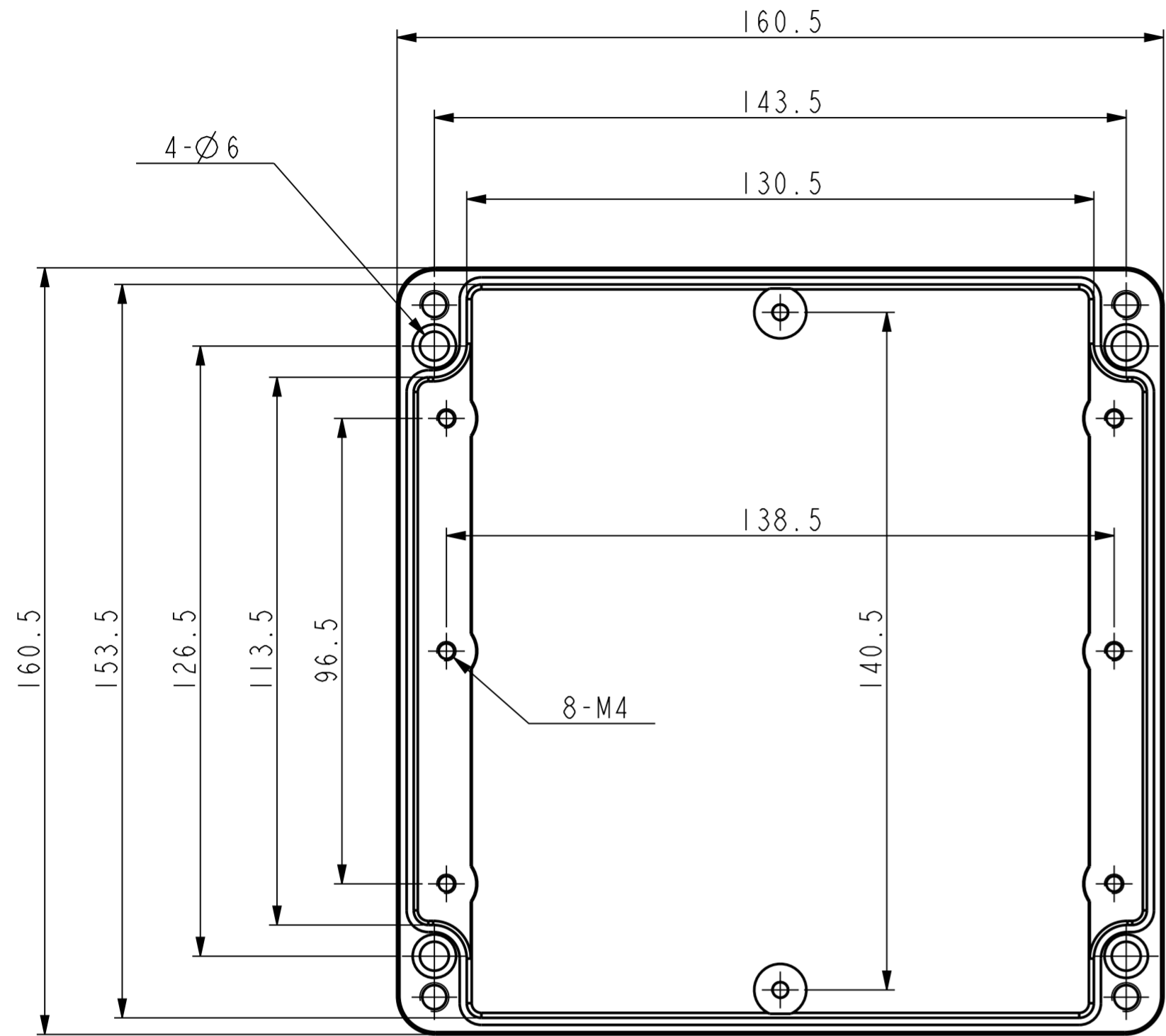
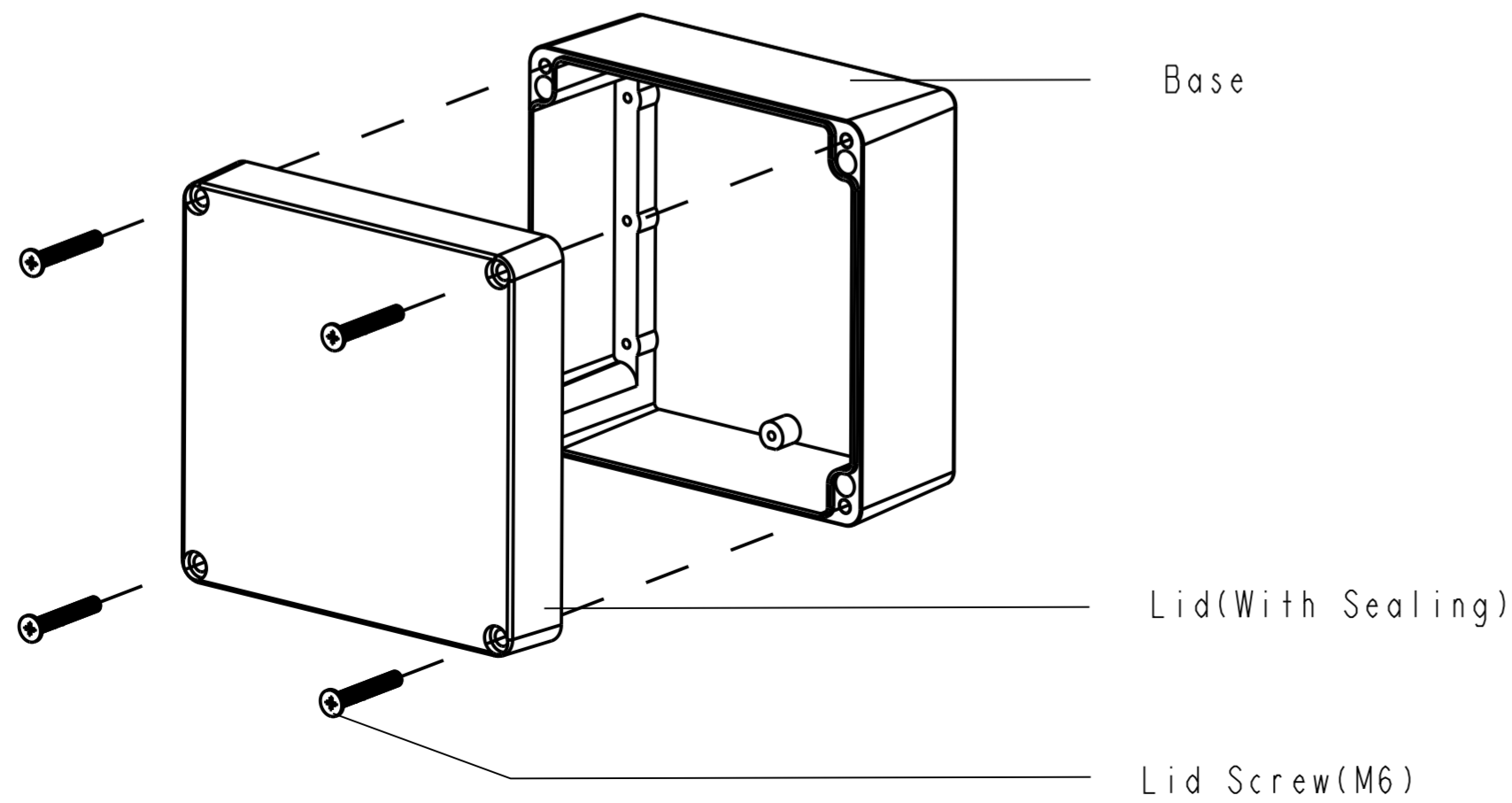
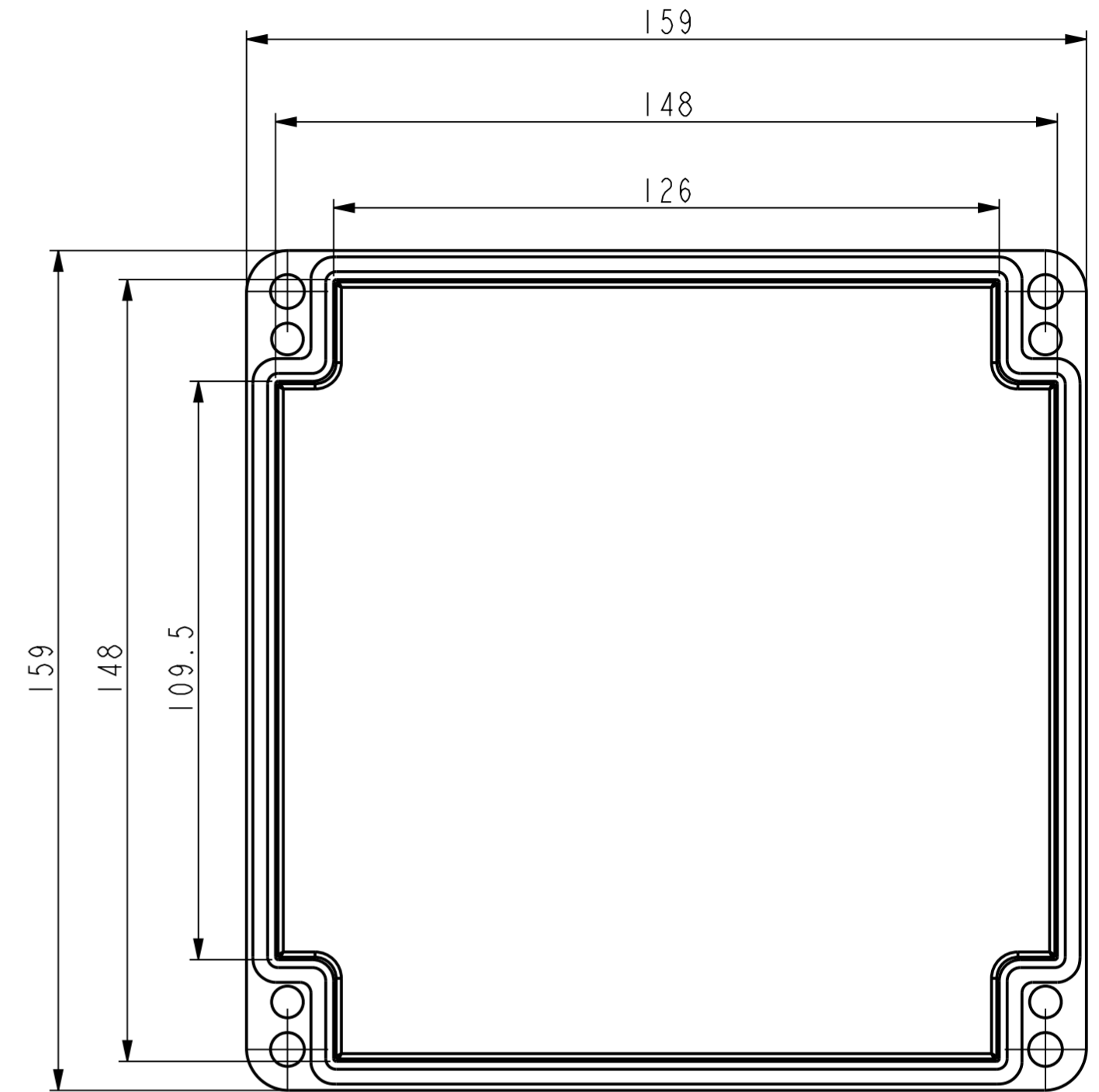
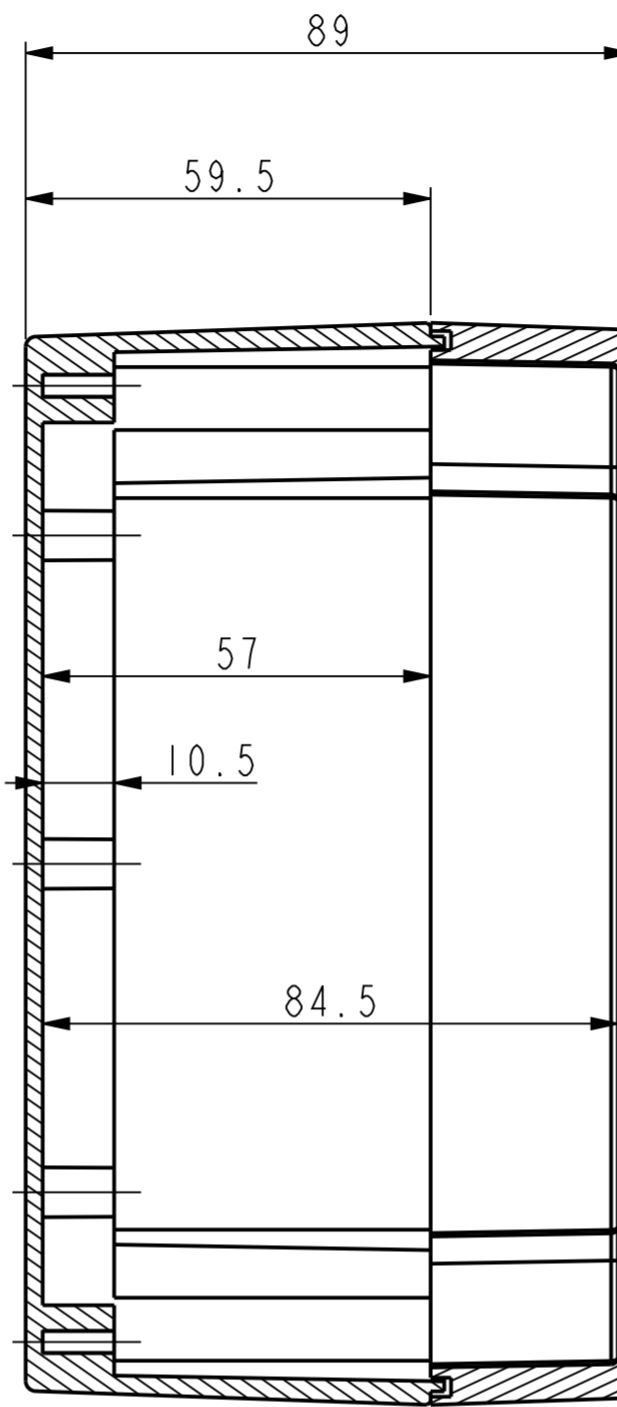


PROPRIETARY INFORMATION			REVISIONS					
THIS DRAWING IS THE PROPERTY OF BOXTECH ELECTRICAL. DISCLOSURE OR REPRODUCTION OF THE INFORMATION ON THIS DRAWING IS PROHIBITED WITHOUT PRIOR WRITTEN CONSENT OF BOXTECH ELECTRICAL.			E.C.O.	ZONE	REV.	DESCRIPTION	DATE	BY



Top View Without The lid



<b>BOXTECH</b> ®	MATERIAL	Z1102	APPROVALS	DATE	<b>重庆博新泰克电气有限公司</b> <b>ChungKing BoxTech Electrical Co., Ltd.</b>	
	COLOR	Light Grey	CHECKED			
DO NOT SCALE DRAWING 部分图元可能未按比例绘制	THIS DRAWING IS ONLY FOR YOUR REFERENCE 图上尺寸仅供参考 请以实际产品为准	DIMENSIONS ARE IN MILLIMETER		DWG. NO.	04.016A	
		PROJECTION TYPE		SHEET	1 OF 1	REV.