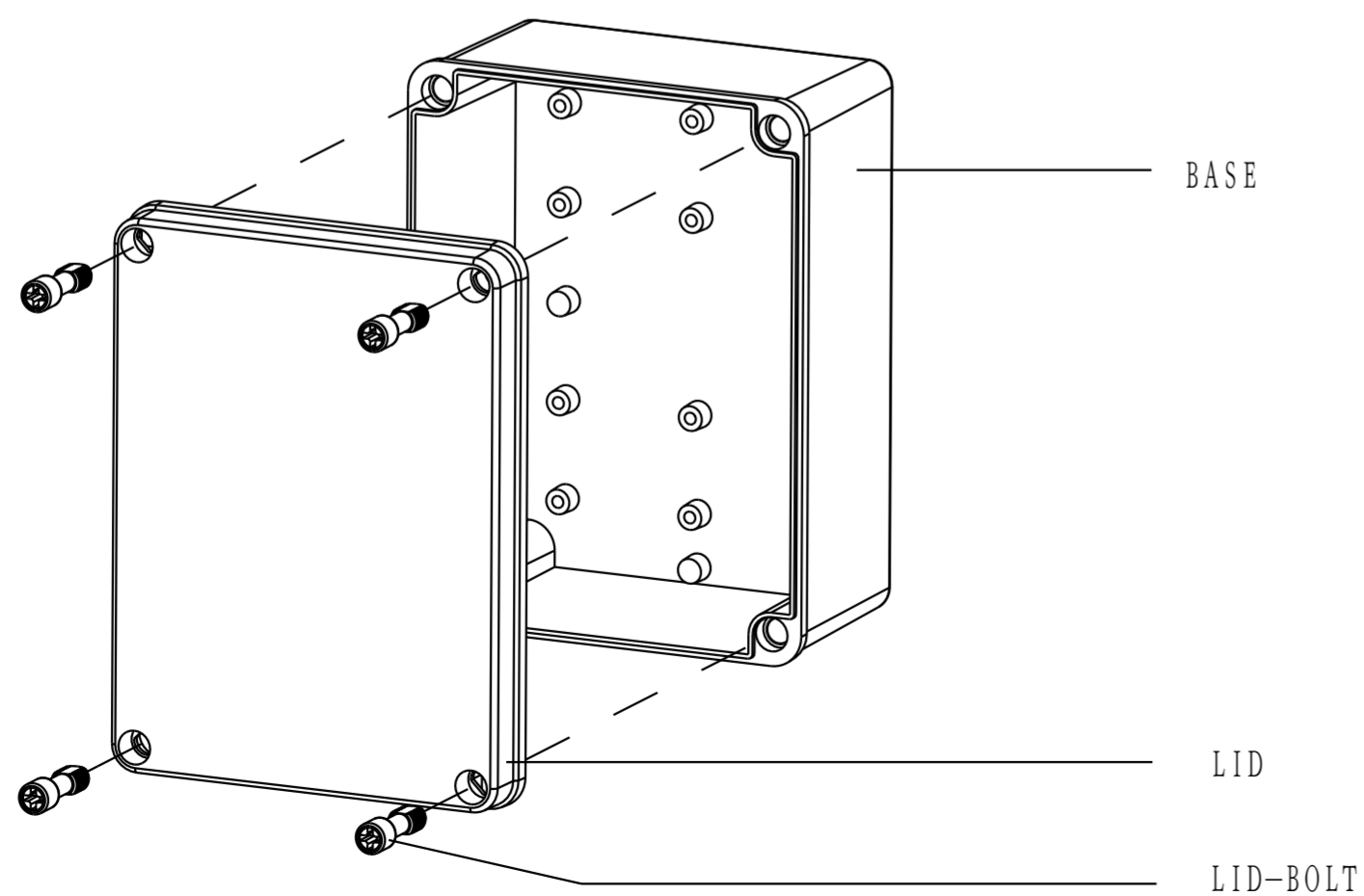
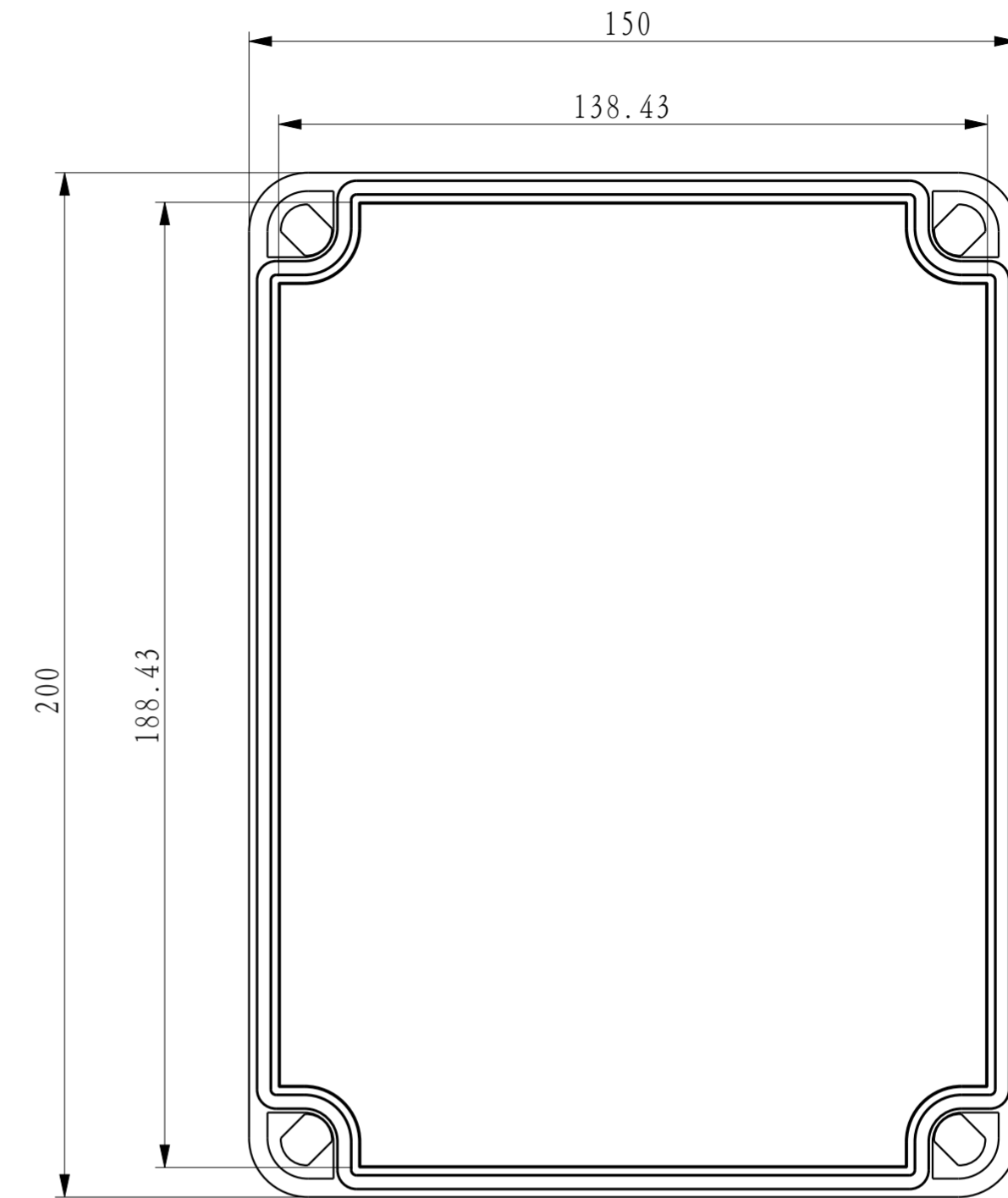
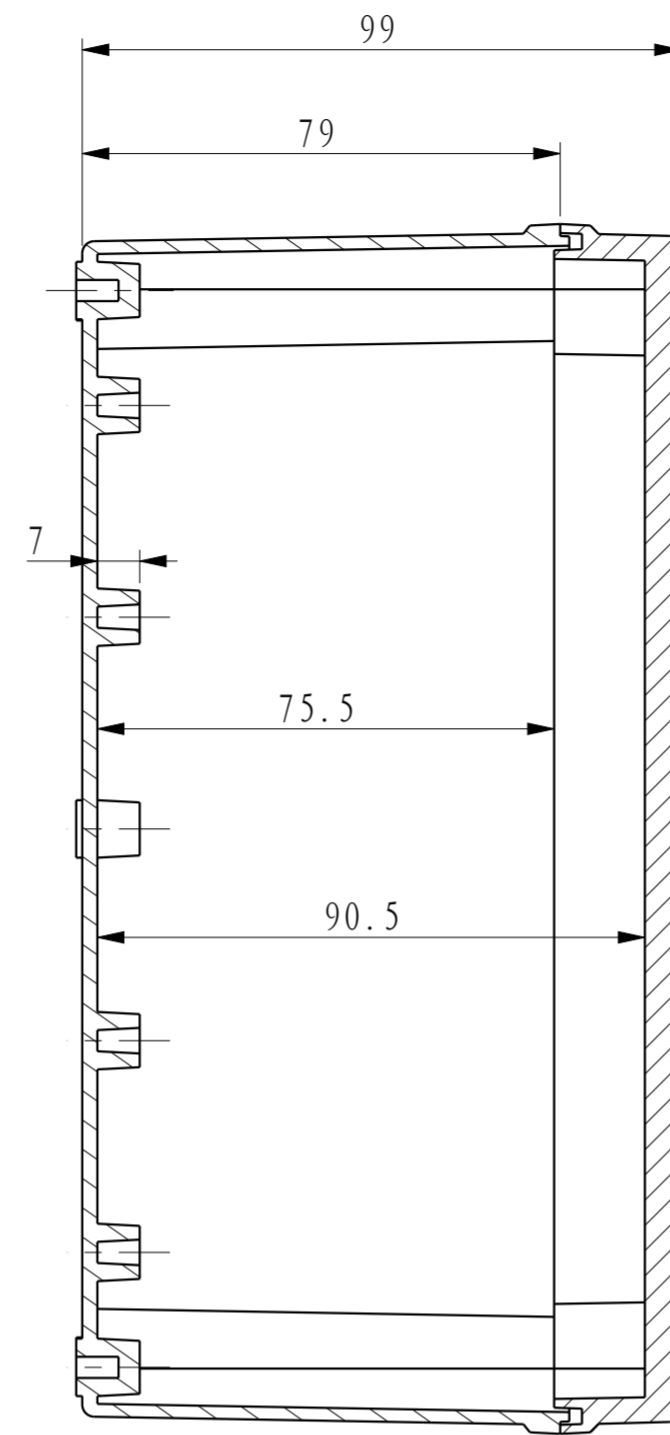
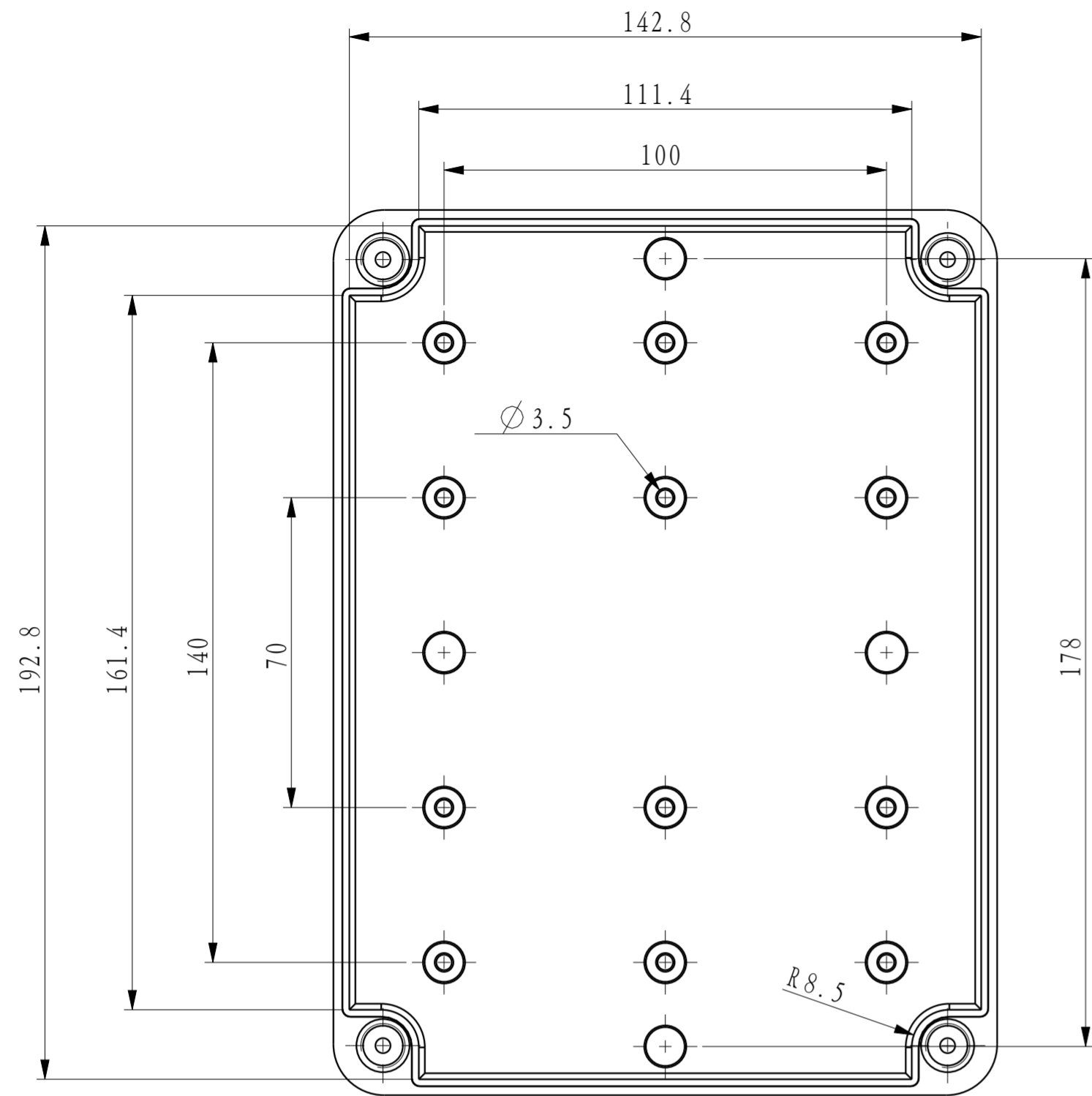


PROPRIETARY INFORMATION			REVISIONS					
THIS DRAWING IS THE PROPERTY OF REICON ENCLOSURES. DISCLOSURE OR REPRODUCTION OF THE INFORMATION ON THIS DRAWING IS PROHIBITED WITHOUT PRIOR WRITTEN CONSENT OF REICON ENCLOSURES.			E.C.O.	ZONE	REV.	DESCRIPTION	DATE	BY



http://www.reicon.com.cn	MATERIAL	ABS	APPROVALS	DATE	北京瑞康华泰电子设备有限公司 BEIJING REICON ELECTRONICS EQUIPMENT CO., LTD.
	COLOR	MILK	CHECKED		
DO NOT SCALE DRAWING 部分图元可能未按比例绘制	THIS DRAWING IS ONLY FOR YOUR REFERENCE 图上尺寸仅供参考, 请以实际产品为准		DIMENSIONS ARE IN MILLIMETER		TITLE Sealed Enclosure
			DWG. NO.	01.015A	REV.
			PROJECTION TYPE	第一角画法	SHEET 1 OF 1
					SIZE A2