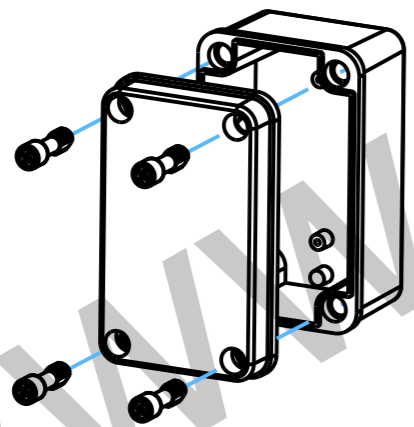
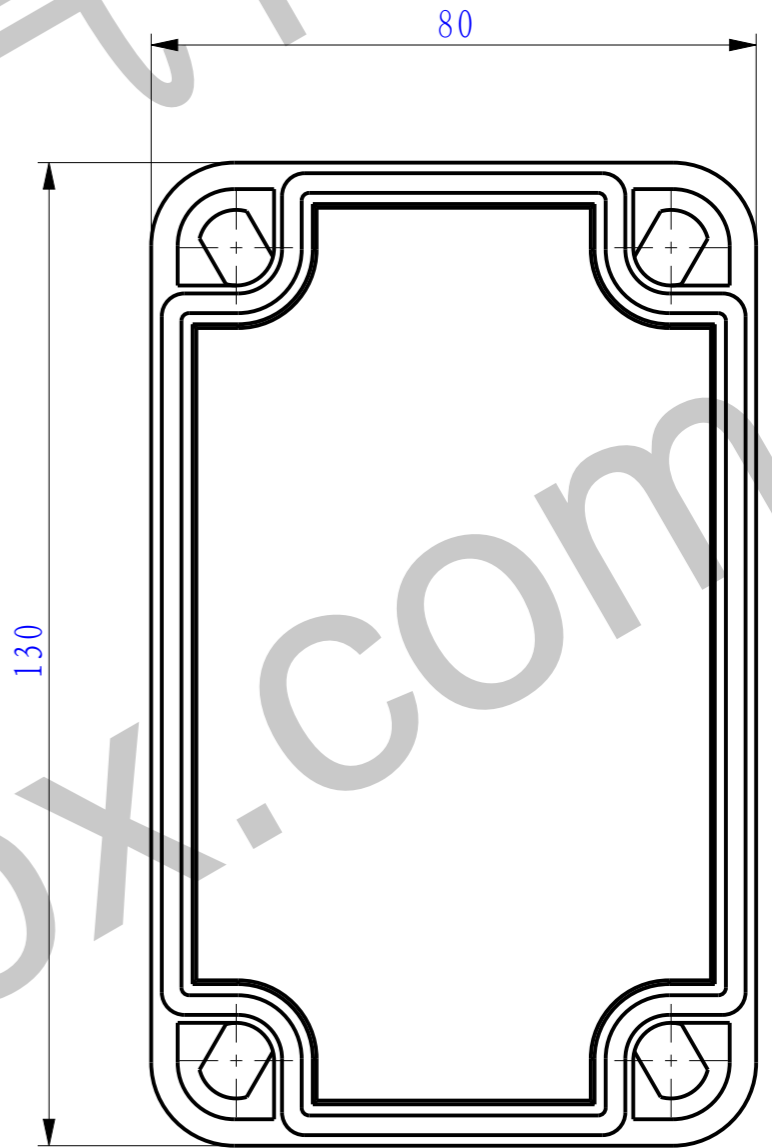
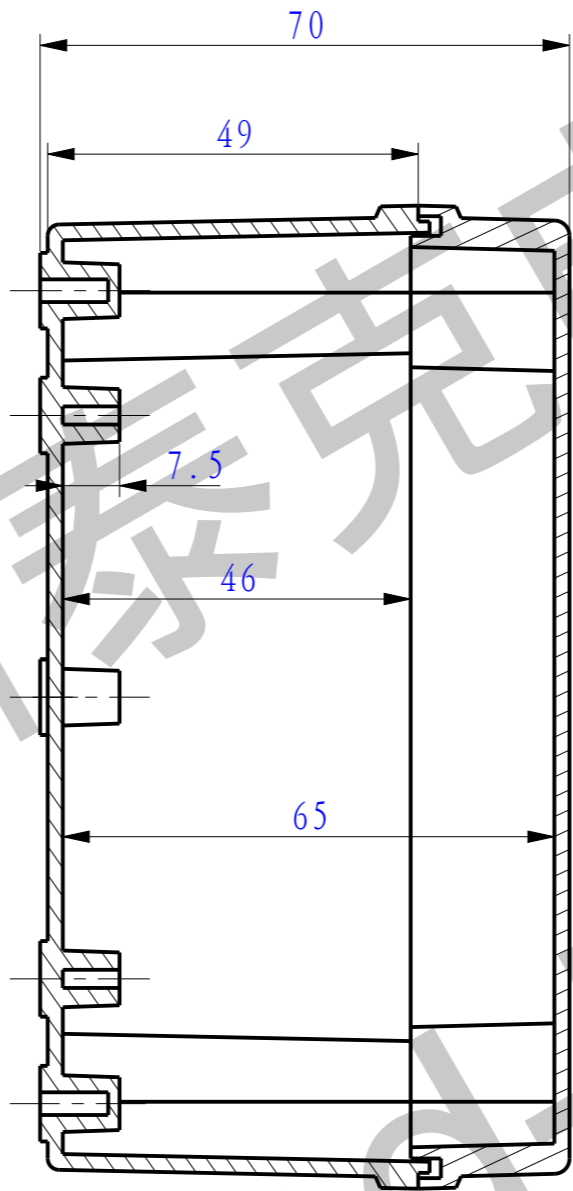
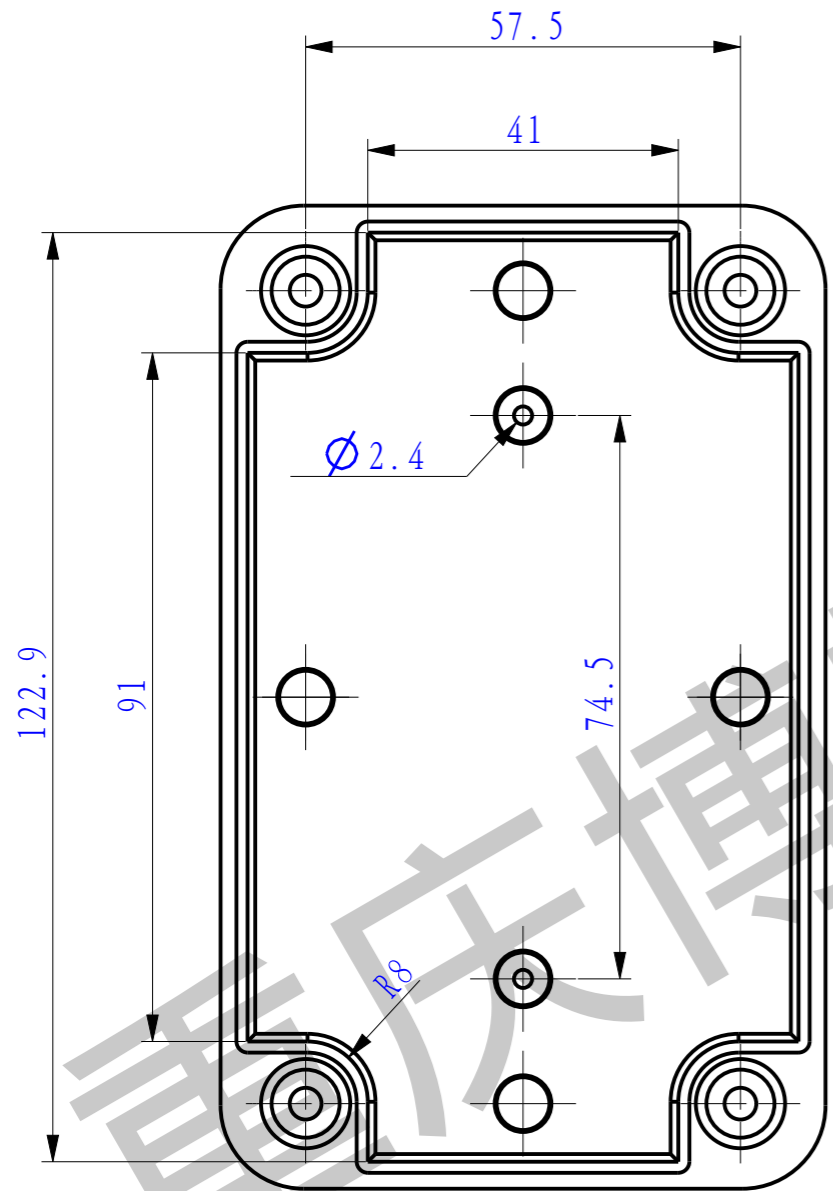


PROPRIETARY INFORMATION			REVISIONS			
THIS DRAWING IS THE PROPERTY OF BOXTECH ELECTRICAL. DISCLOSURE OR REPRODUCTION OF THE INFORMATION ON THIS DRAWING IS PROHIBITED WITHOUT PRIOR WRITTEN CONSENT OF BOXTECH ELECTRICAL.			E.C.O.	ZONE	REV.	DESCRIPTION
						DATE
						BY



	MATERIAL	APPROVALS	DATE	重庆博斯泰克电气有限公司 ChungKing BoxTech Electrical Co., Ltd.
	COLOR	DRAWN		
DO NOT SCALE DRAWING 部分图元可能未按比例绘制	THIS DRAWING IS ONLY FOR YOUR REFERENCE 图上尺寸仅供参考，请以实际产品为准	CHECKED		TITLE
		CUSTOMER		Sealed Enclosure
DIMENSIONS ARE IN MILLIMETER			DWG. NO.	REV.
			01.011B	
			PROJECTION TYPE	SHEET
			1	1 OF 1
				SIZE
				A3