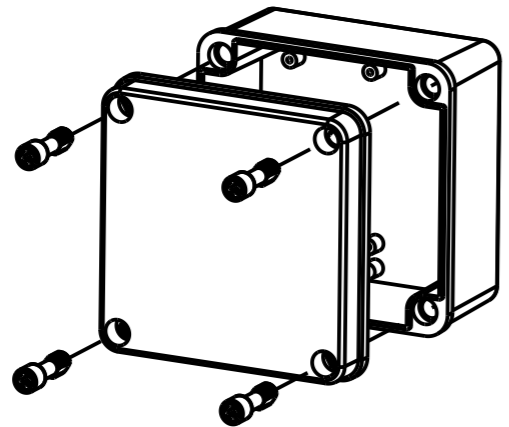
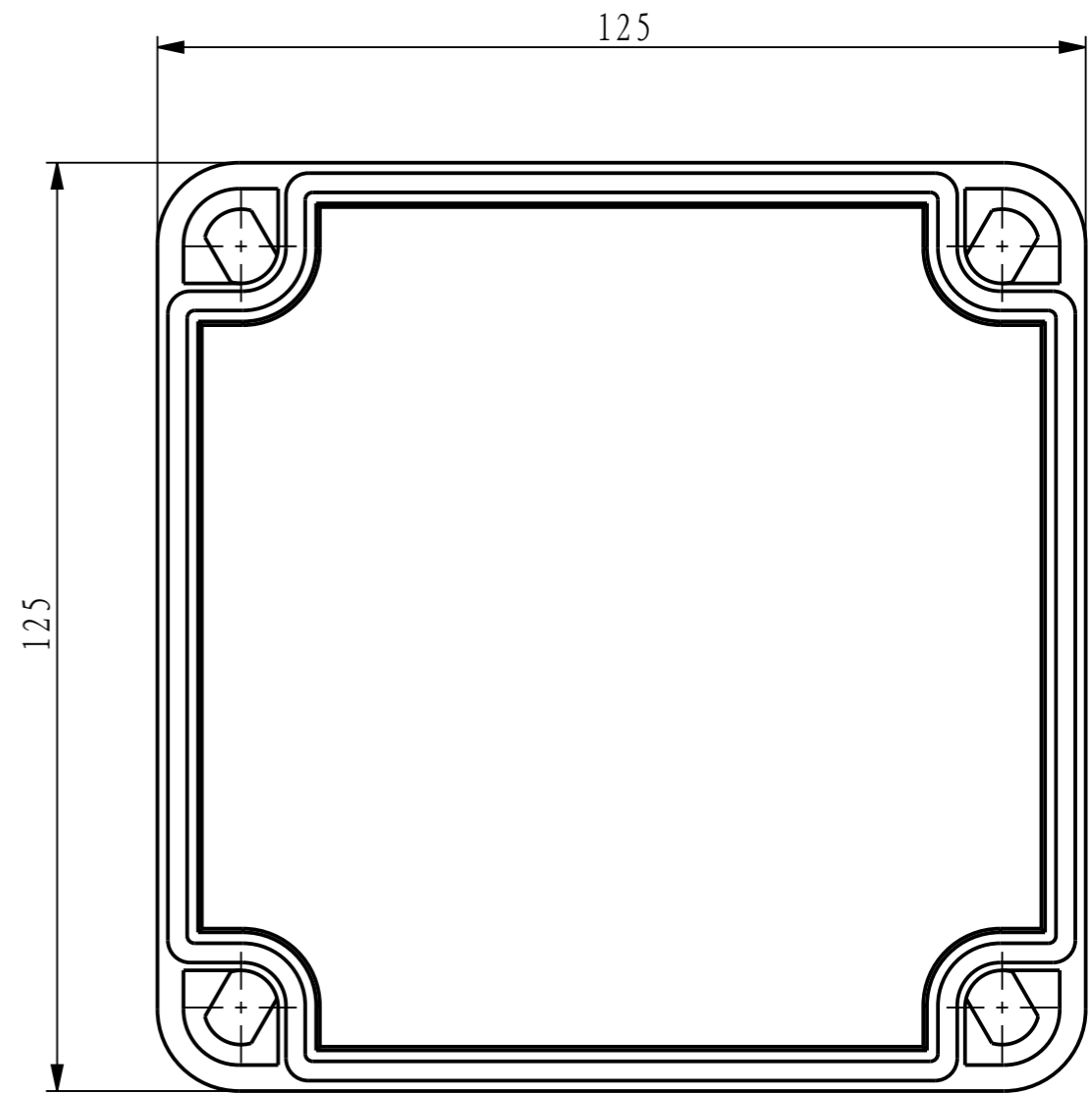
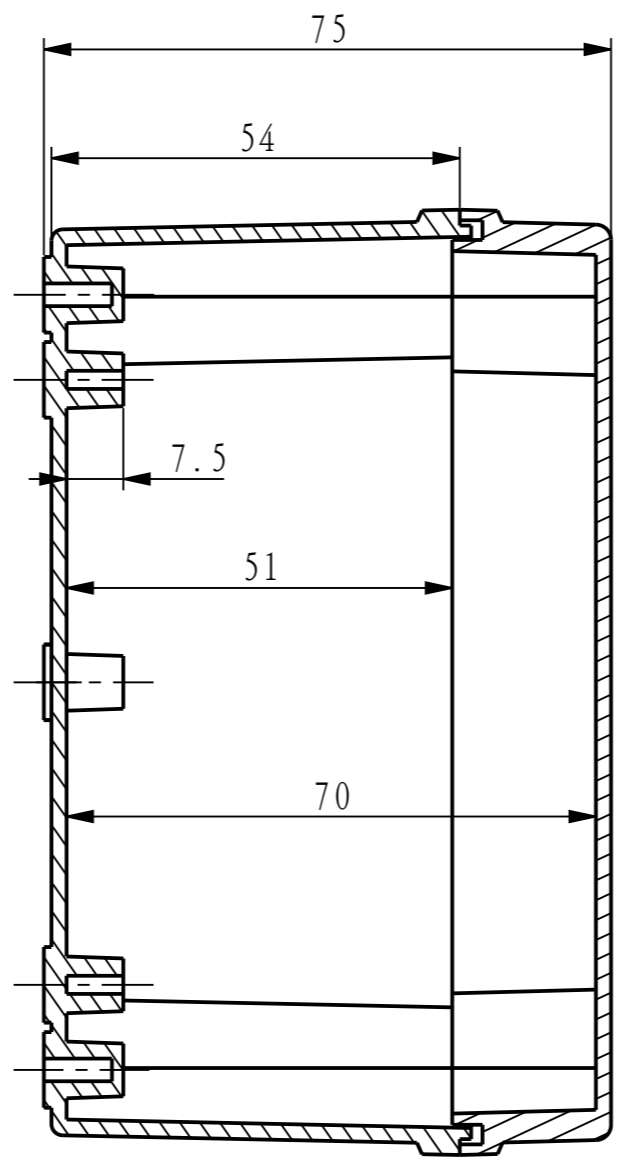
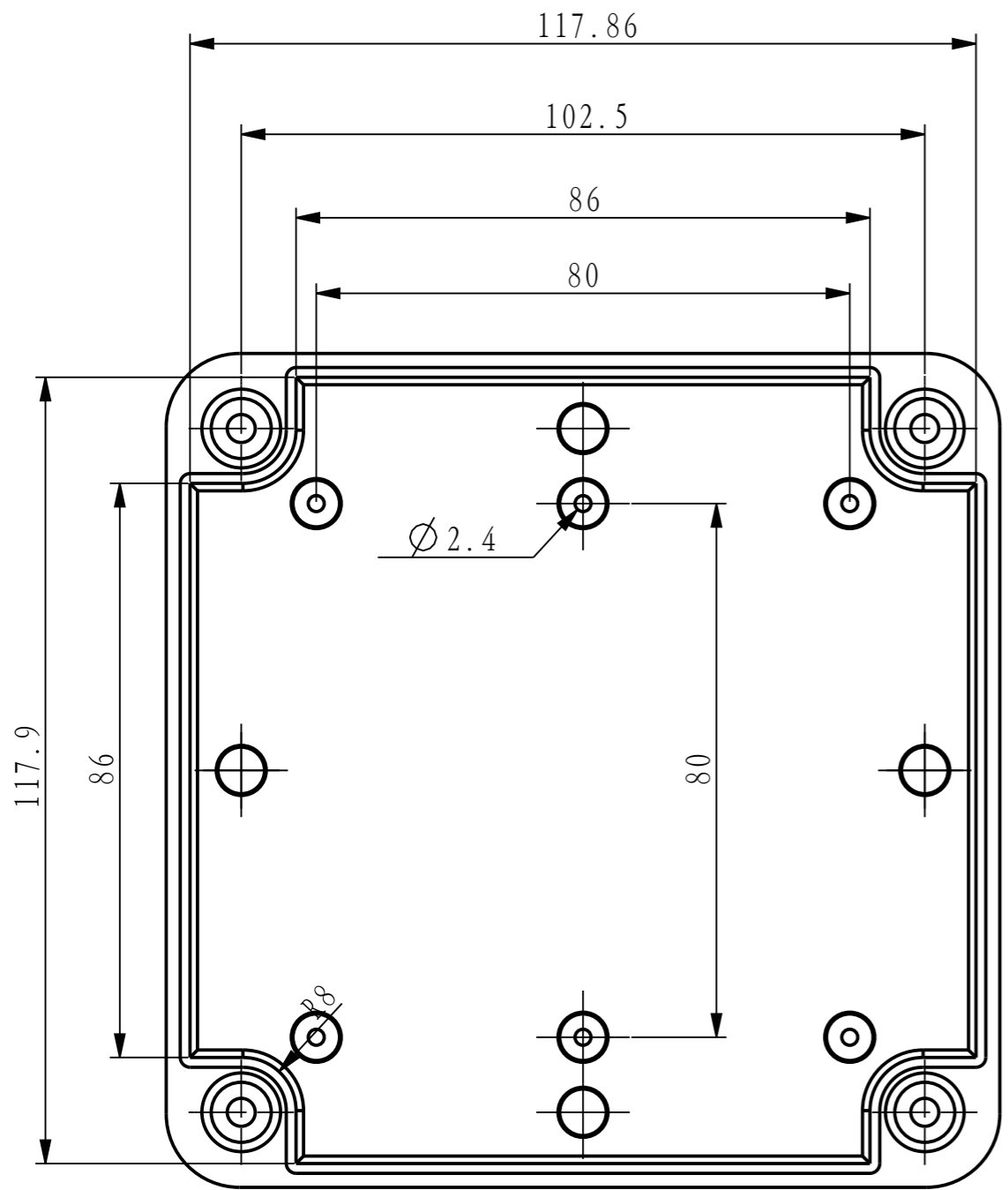


PROPRIETARY INFORMATION				REVISIONS		
THIS DRAWING IS THE PROPERTY OF BOXTECH ELECTRICAL. DISCLOSURE OR REPRODUCTION OF THE INFORMATION ON THIS DRAWING IS PROHIBITED WITHOUT PRIOR WRITTEN CONSENT OF BOXTECH ELECTRICAL.				NO.	DATE	BY



BOXTECH®	MATERIAL	APPROVALS	DATE	重庆博斯泰克电气有限公司 ChungKing BoxTech Electrical Co.,
	COLOR	CUSTOMER		
DO NOT SCALE DRAWING 部分图元可能未按比例绘制，尺寸仅供参考，请以实际产品为准	DIMENSIONS ARE IN MILLIMETER		DWG. NO. 01.016A	REV.
			PROJECTION TYPE	SHEET 1 OF 1 SIZE A3