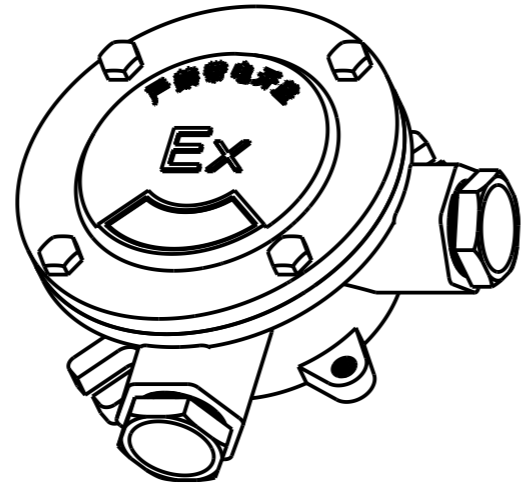
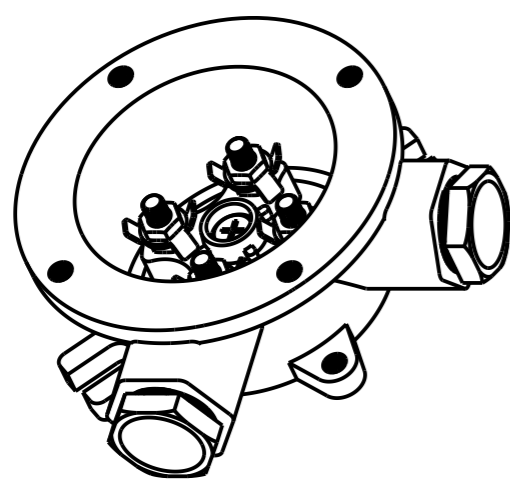
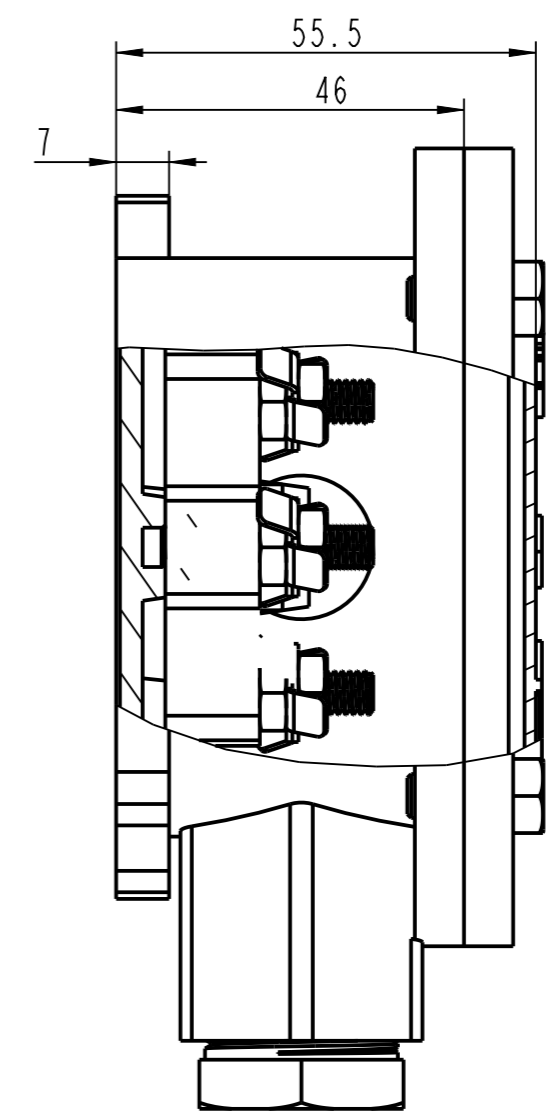
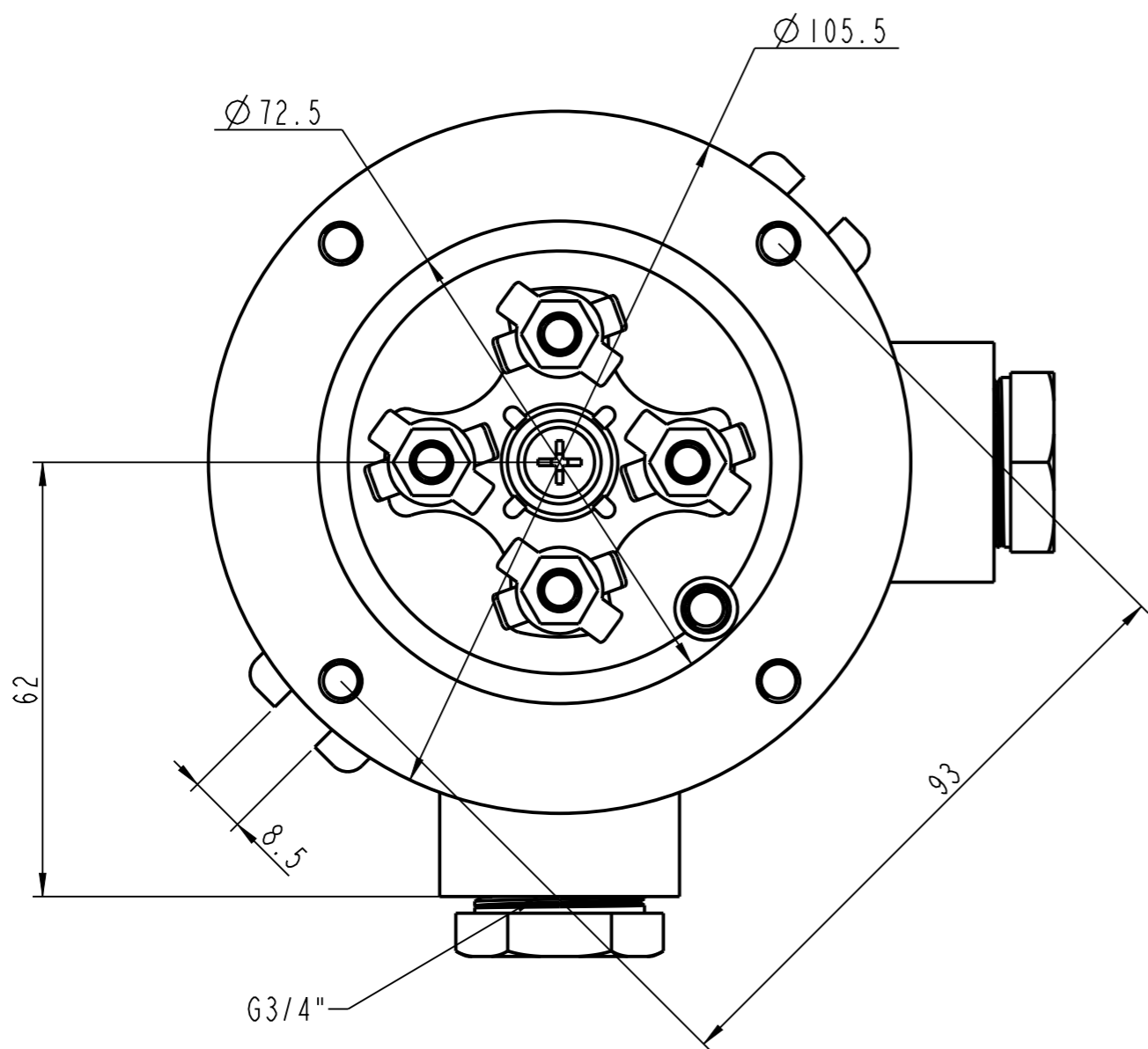


PROPRIETARY INFORMATION
 THIS DRAWING IS THE PROPERTY OF BOXTECH ELECTRICAL.
 DISCLOSURE OR REPRODUCTION OF THE INFORMATION ON
 THIS DRAWING IS PROHIBITED WITHOUT PRIOR WRITTEN
 CONSENT OF BOXTECH ELECTRICAL.

REVISIONS			DESCRIPTION	DATE	BY
E.C.O.	ZONE	REV.			



BOXTECH ®	MATERIAL	SiAl12	APPROVALS	DATE	重庆博新泰克电气有限公司 ChungKing BoxTech Electrical Co., Ltd.	
	COLOR	Grey	DRAWN			
DO NOT SCALE DRAWING 请勿按此图比例缩放	THIS DRAWING IS ONLY FOR YOUR REFERENCE 此图仅供参考，请以实物为准		CHECKED		TITLE	Explosion-proof Box
	DIMENSIONS ARE IN MILLIMETER		CUSTOMER		DWG. NO.	AH100806-6D-L
			PROJECTION TYPE		SHEET 1 OF 1	SIZE A3