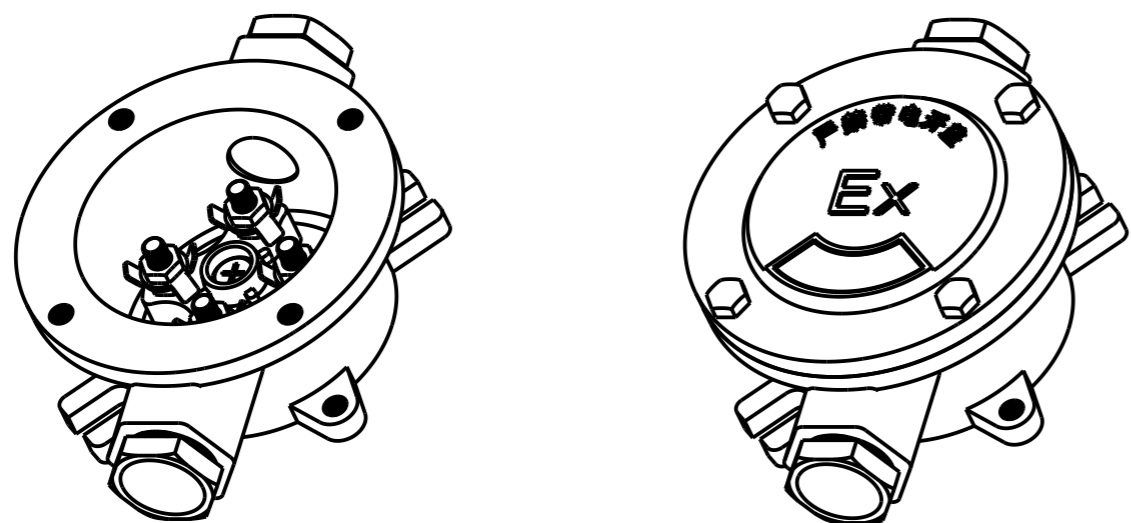
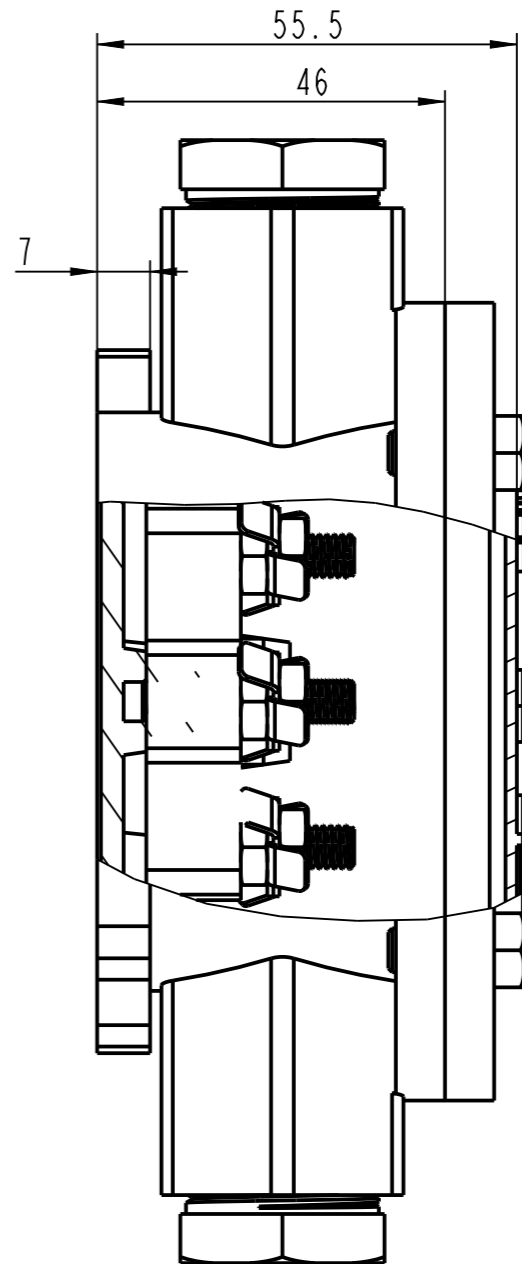
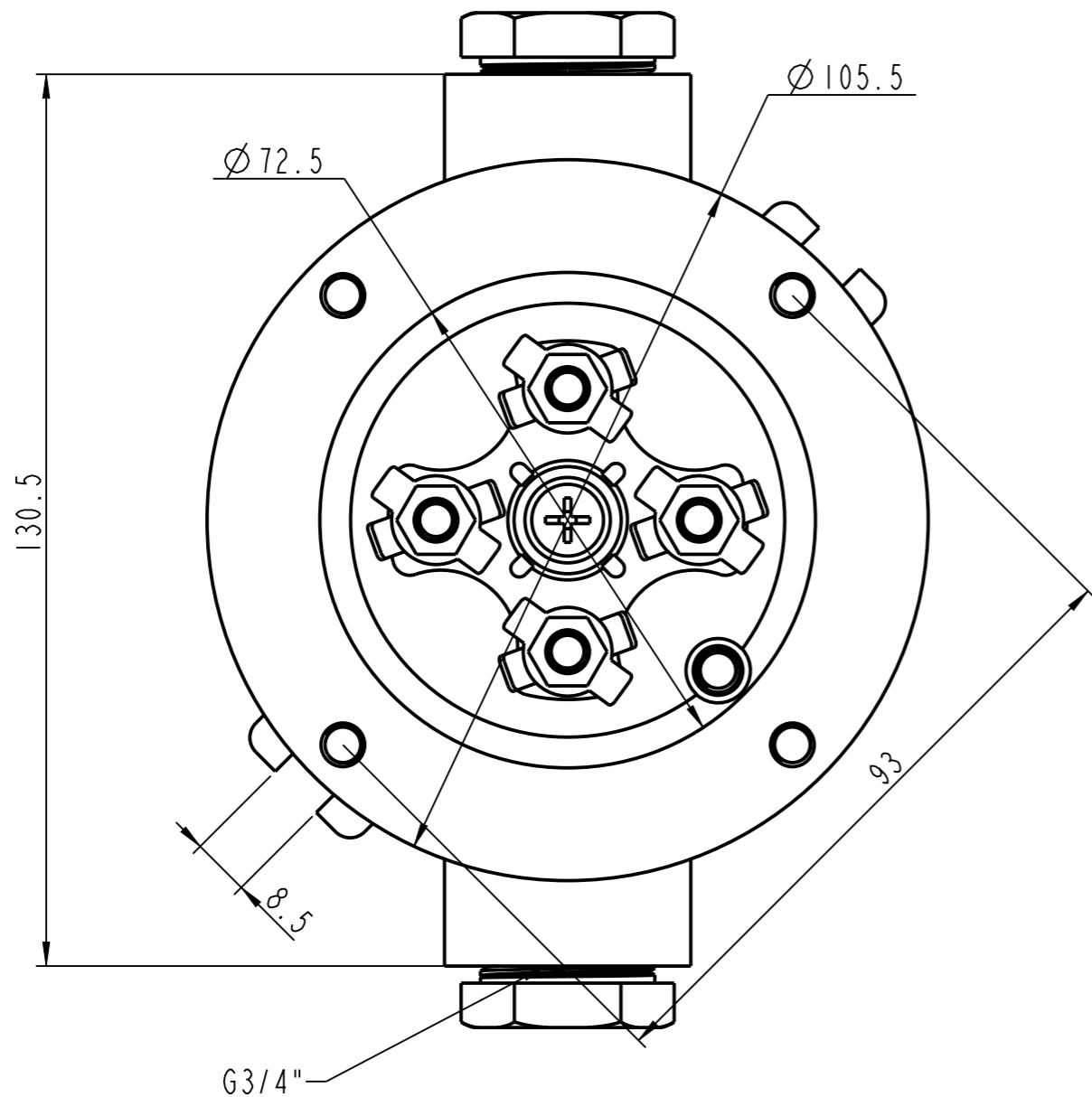


PROPRIETARY INFORMATION
 THIS DRAWING IS THE PROPERTY OF BOXTECH ELECTRICAL.
 DISCLOSURE OR REPRODUCTION OF THE INFORMATION ON
 THIS DRAWING IS PROHIBITED WITHOUT PRIOR WRITTEN
 CONSENT OF BOXTECH ELECTRICAL.

REVISIONS			DESCRIPTION	DATE	BY
E.C.O.	ZONE	REV.			



BOXTECH [®]	MATERIAL	SiAl12	APPROVALS	DATE	重庆博新泰克电气有限公司 ChungKing BoxTech Electrical Co., Ltd.
	COLOR	Grey	DRAWN		
DO NOT SCALE DRAWING 部分图元可能未按比例绘制	THIS DRAWING IS ONLY FOR YOUR REFERENCE 图上尺寸仅供参考 请以实物产品为准	CHECKED		TITLE Explosion-proof Box	
		CUSTOMER			
DIMENSIONS ARE IN MILLIMETER		DWG. NO.	AH100806-6D-1	REV.	
		PROJECTION TYPE		SHEET	1 OF 1
				SIZE	A3