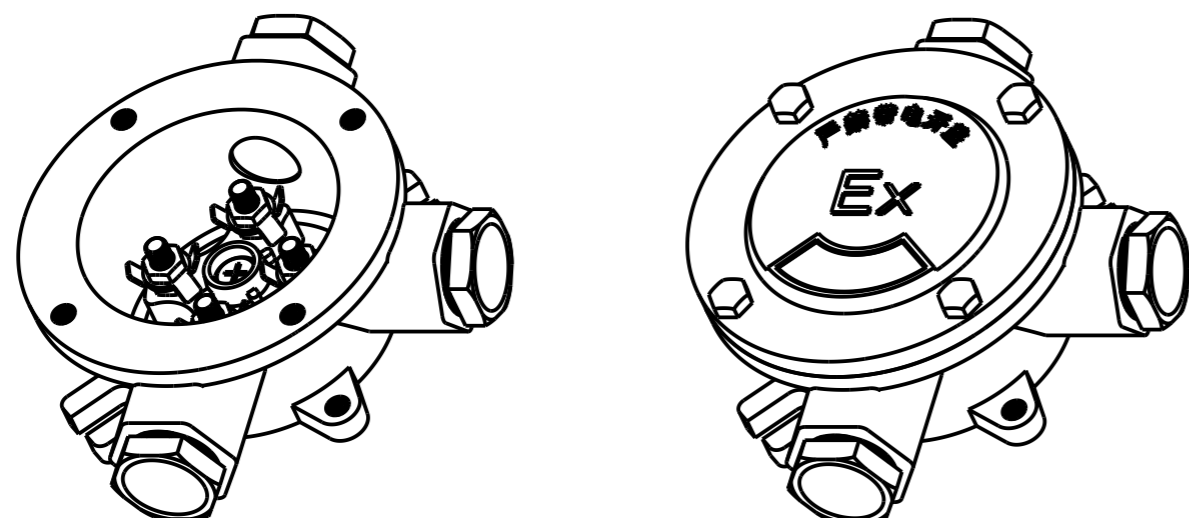
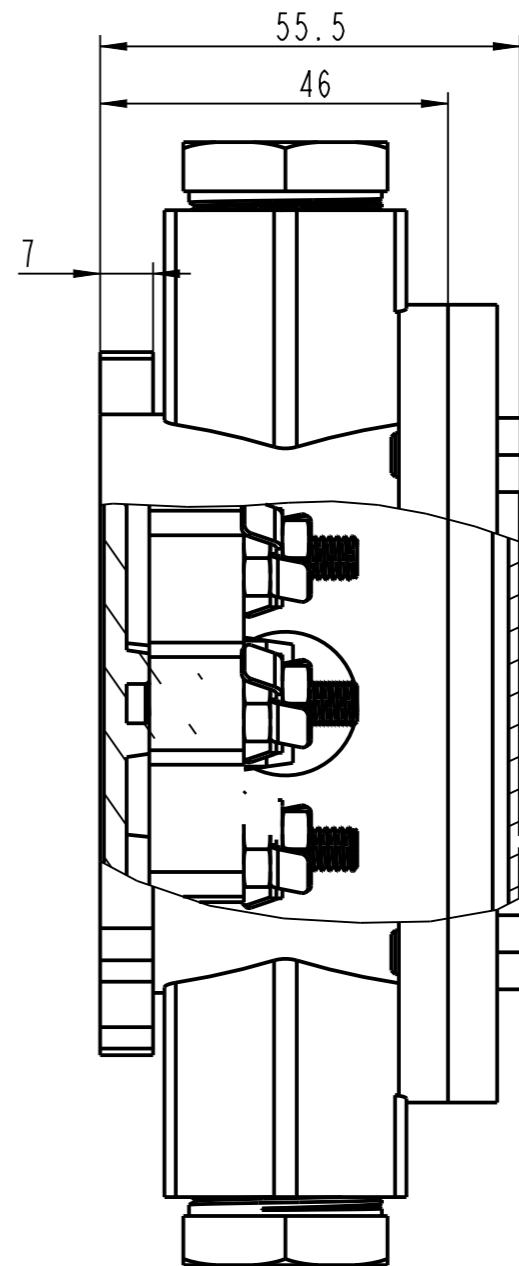
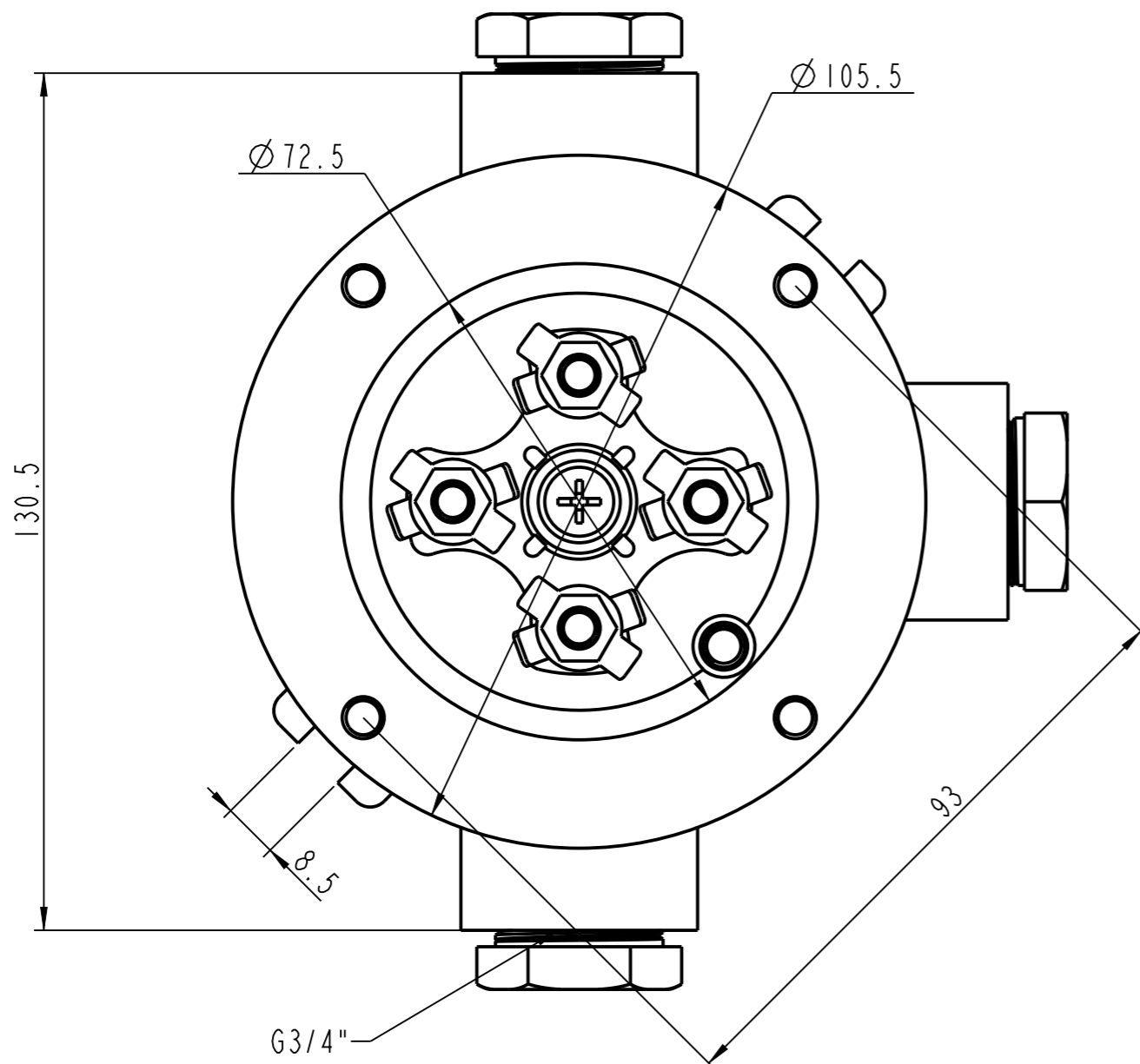


**PROPRIETARY INFORMATION**  
 THIS DRAWING IS THE PROPERTY OF BOXTECH ELECTRICAL.  
 DISCLOSURE OR REPRODUCTION OF THE INFORMATION ON  
 THIS DRAWING IS PROHIBITED WITHOUT PRIOR WRITTEN  
 CONSENT OF BOXTECH ELECTRICAL.

REVISIONS			DATE	BY
E.C.O.	ZONE	REV.	DESCRIPTION	



<b>BOXTECH</b> ®	MATERIAL	SiAl12	APPROVALS	DATE	重庆博新泰克电气有限公司 ChungKing BoxTech Electrical Co., Ltd.	
	COLOR	Grey	DRAWN			
DO NOT SCALE DRAWING 请勿按图缩放比例绘制	THIS DRAWING IS ONLY FOR YOUR REFERENCE 此图仅供参考，请以实物为准	DIMENSIONS ARE IN MILLIMETER	CHECKED		TITLE	Explosion-proof Box
			CUSTOMER		DWG. NO.	AH100806-6D-T
			PROJECTION TYPE		SHEET	1 OF 1
					SIZE	A3