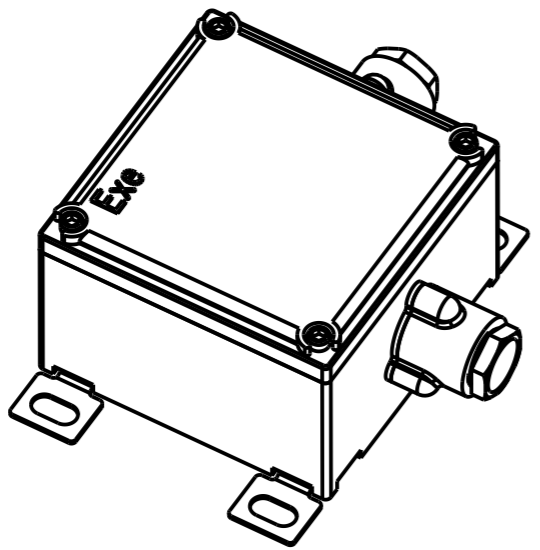
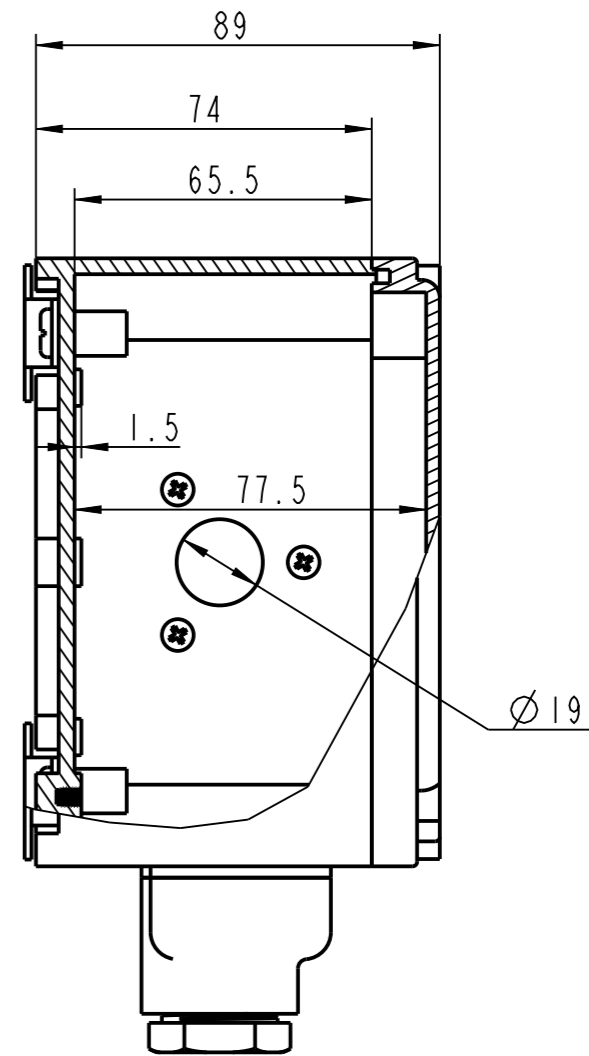
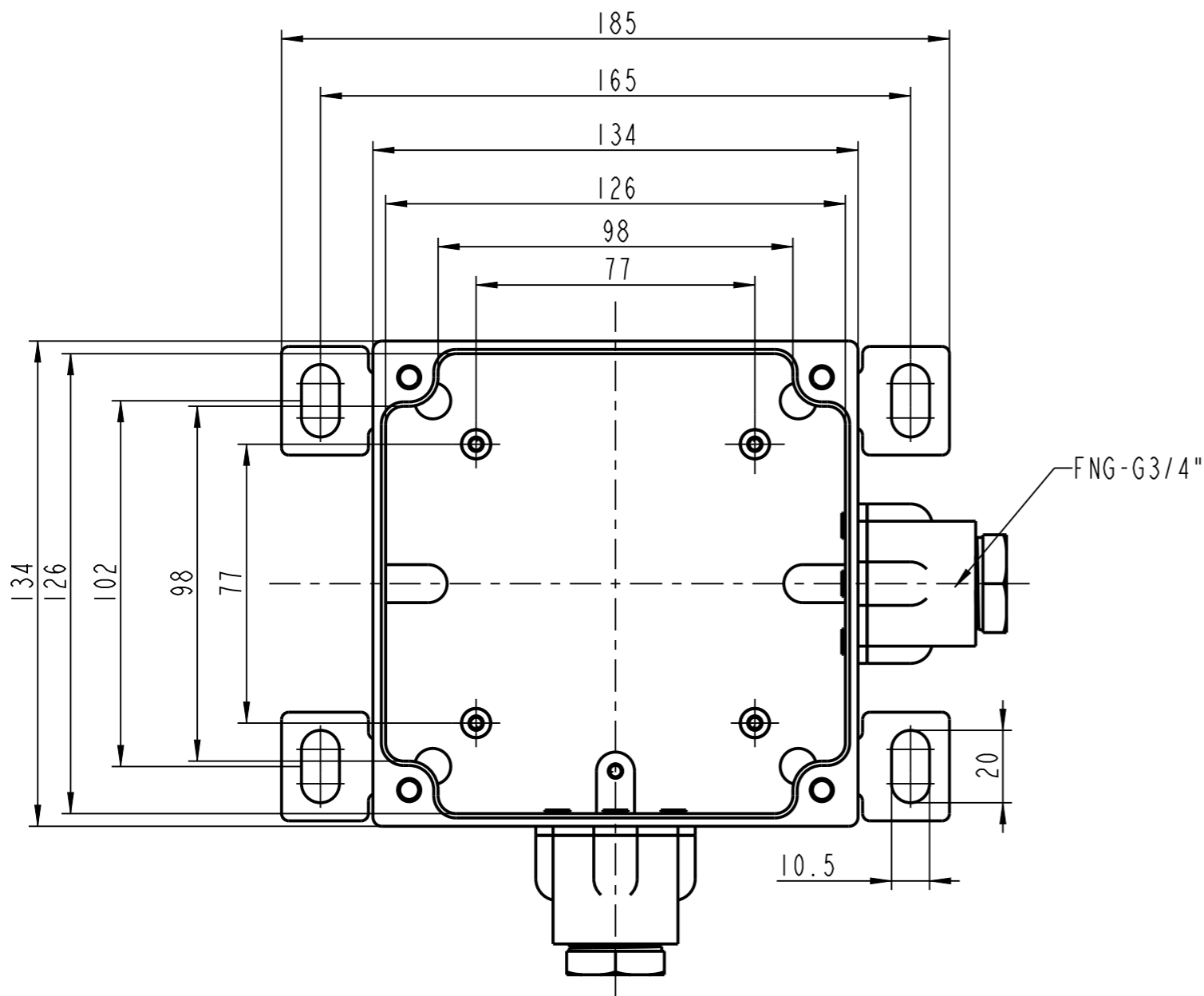


**PROPRIETARY INFORMATION**  
 THIS DRAWING IS THE PROPERTY OF BOXTECH ELECTRICAL.  
 DISCLOSURE OR REPRODUCTION OF THE INFORMATION ON  
 THIS DRAWING IS PROHIBITED WITHOUT PRIOR WRITTEN  
 CONSENT OF BOXTECH ELECTRICAL.

REVISIONS			DESCRIPTION	DATE	BY
E.C.O.	ZONE	REV.			



<b>BOXTECH</b> <sup>®</sup>	MATERIAL	SIAL12	APPROVALS	DATE	重庆博新泰克电气有限公司 ChungKing BoxTech Electrical Co., Ltd.
	COLOR	Grey	DRAWN		
DO NOT SCALE DRAWING 请勿按此图比例绘制	THIS DRAWING IS ONLY FOR YOUR REFERENCE 此图仅供参考，请以实物为准		CHECKED		TITLE
	DIMENSIONS ARE IN MILLIMETER		CUSTOMER		Explosion-proof box
			DWG. NO. BJX131309-6D-L		REV.
			PROJECTION TYPE		SHEET 1 OF 1 SIZE A3