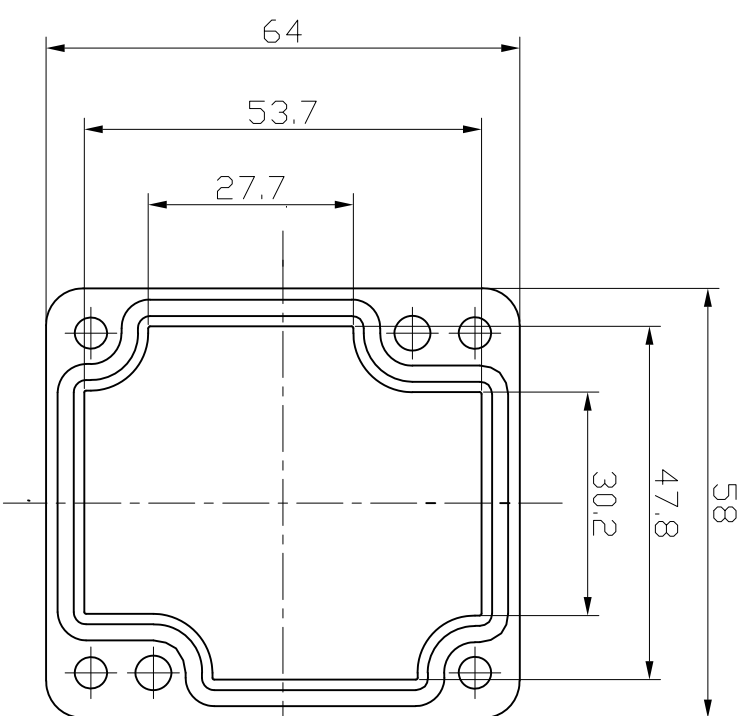
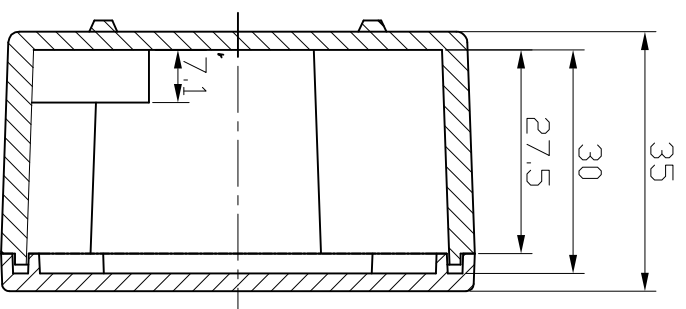
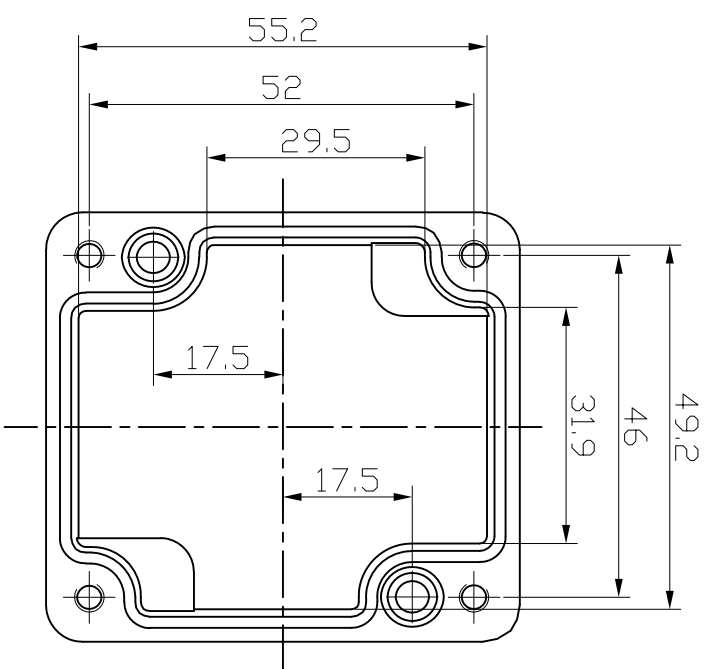


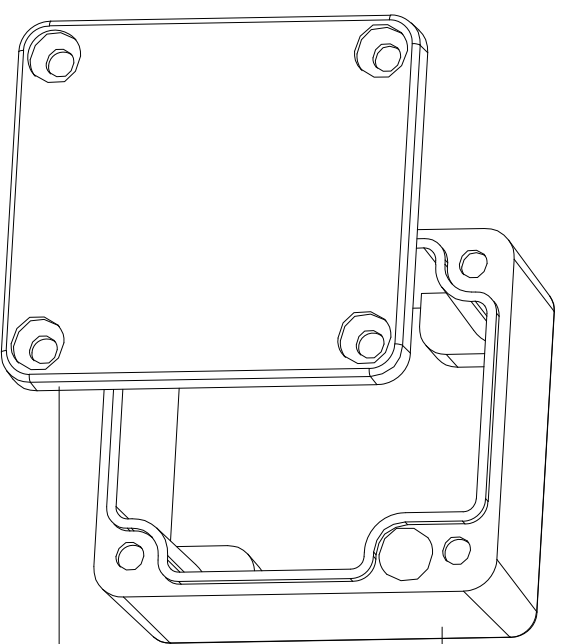
PROPRIETARY INFORMATION				REVISIONS					
THIS DRAWING IS THE PROPERTY OF REICON ENCLOSURES. DISCUSSURE OR REPRODUCTION OF THE INFORMATION ON THIS DRAWING IS PROHIBITED WITHOUT PRIOR WRITTEN CONSENT OF REICON ENCLOSURES.				E.C.O.	ZONE	REV.	DESCRIPTION	DATE	BY



Top view with removed cover

Section view of ASM.

Inside view of cover



Base

Lid (with Sealing)

DO NOT SCALE DRAWING 部分图元可能未按比例绘制		THIS DRAWING IS ONLY FOR YOUR REFERENCE 图上尺寸仅供参考，请以实际产品为准		APPROVALS		DATE		DWG. NO. 04.001A		PROJECTION TYPE		SHEET 1 OF 1		REV. SIZE A2	
http://www.reicon.com.cn		MATERIAL ZL102		DRAWN				北京瑞康华泰电子设备有限公司 BEIJING REICON ELECTRONICS EQUIPMENT CO., LTD.		ALUMINIUM JUNCTION BOXES					
COLOR GREY		APPROVALS CHECKED		CUSTOMER											